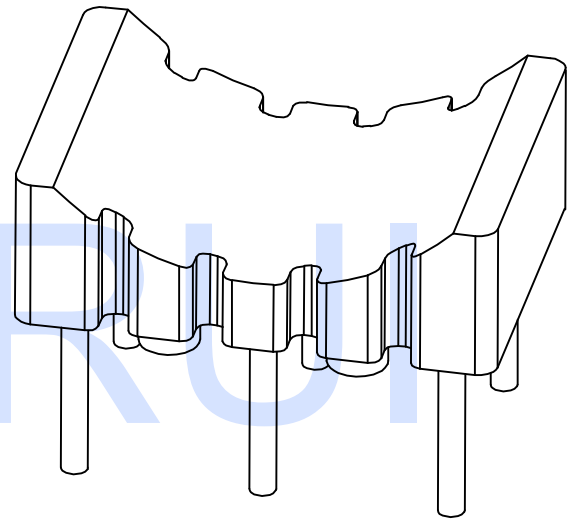
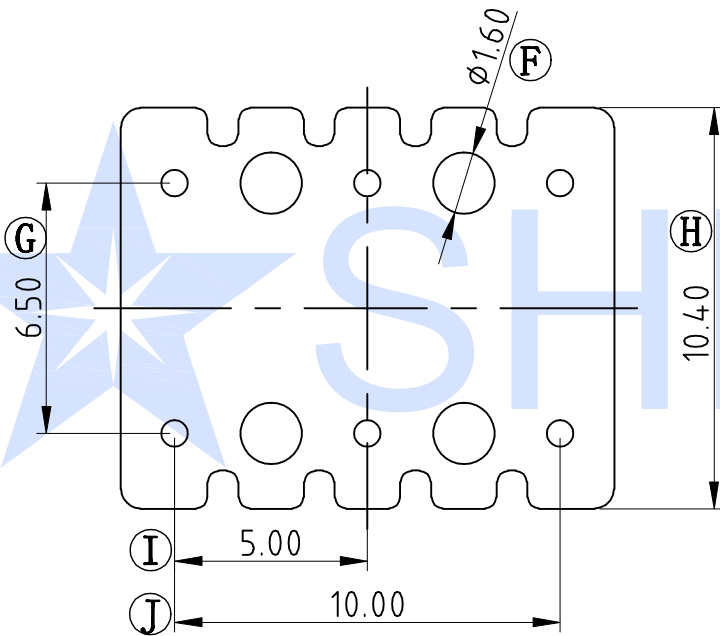
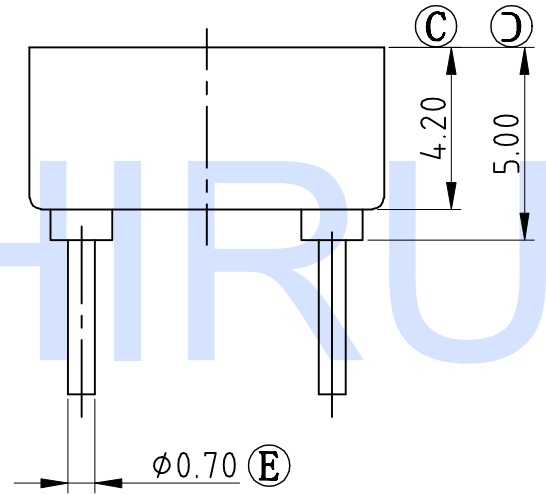
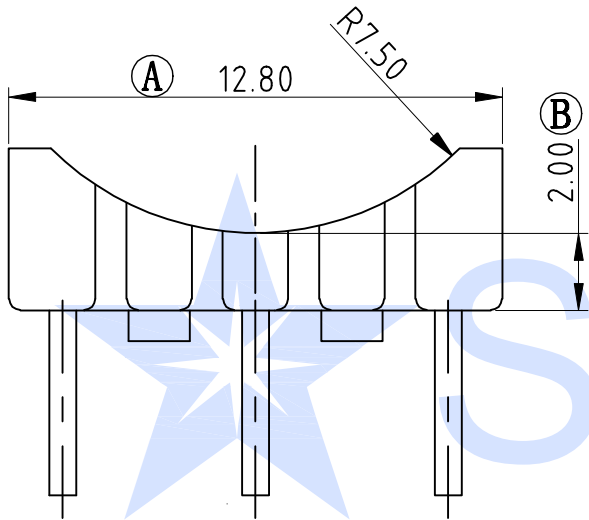


P/N

SR-BASE013




Hefei Shirui Electronic Technology Co.,Ltd

TEL:(0086) 55165232650

sales@shiruitech.com

www.shiruitech.com

SR NO. SR-BASE013	MATERIAL: PHENOLIC	UNIT: mm	TOLERANCE	DRN.	WILL H
MODEL NAME! BASE-6P	UL REC: UL 94V-0		0 L 4 ± 0.10	CHD.	IRINA LEE
	ANGLE: \pm °		4 L 16 ± 0.20	ISSD.	JAMES HU
	 SCALE 1:1		16 L 64 ± 0.30		
			PIN PITCH ± 0.05		